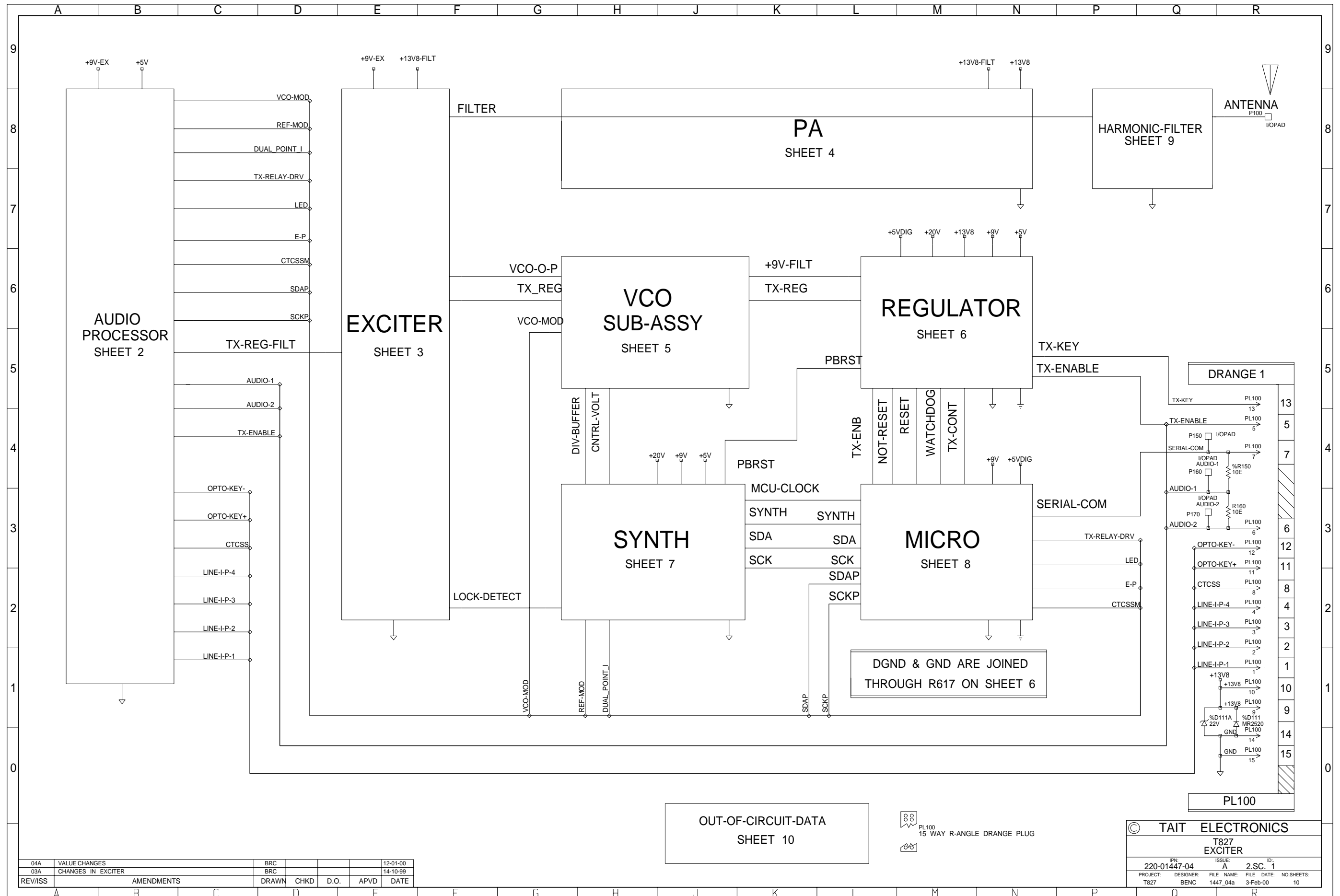


T827 PCB Layout - Bottom Side  
220-01447-04

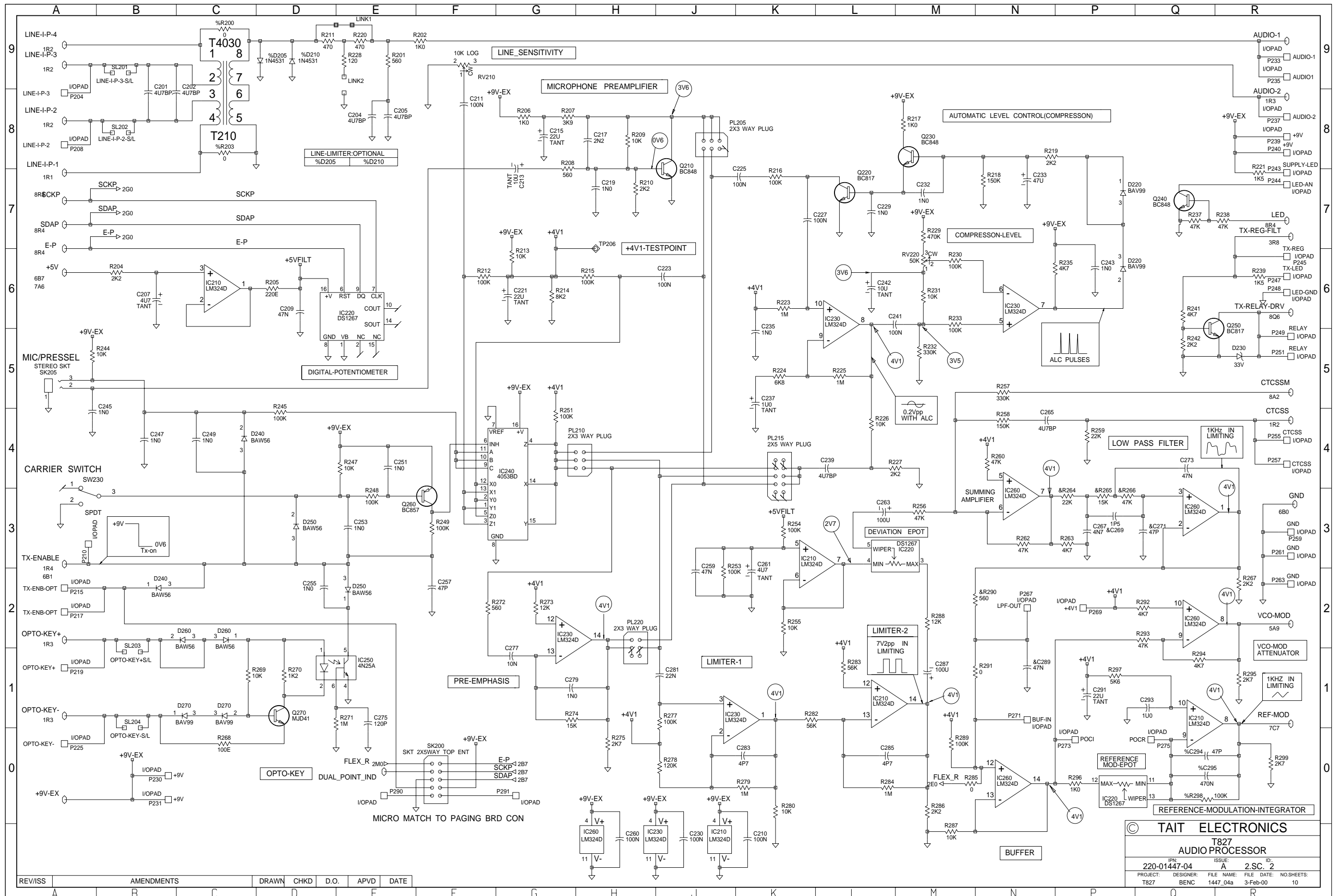


04A	VALUE CHANGES	BRC			12-01-00
03A	CHANGES IN EXCITER	BRC			14-10-99
REV/ISS	AMENDMENTS	DRAWN	CHKD	D.O.	APVD DATE

OUT-OF-CIRCUIT-DATA  
 SHEET 10

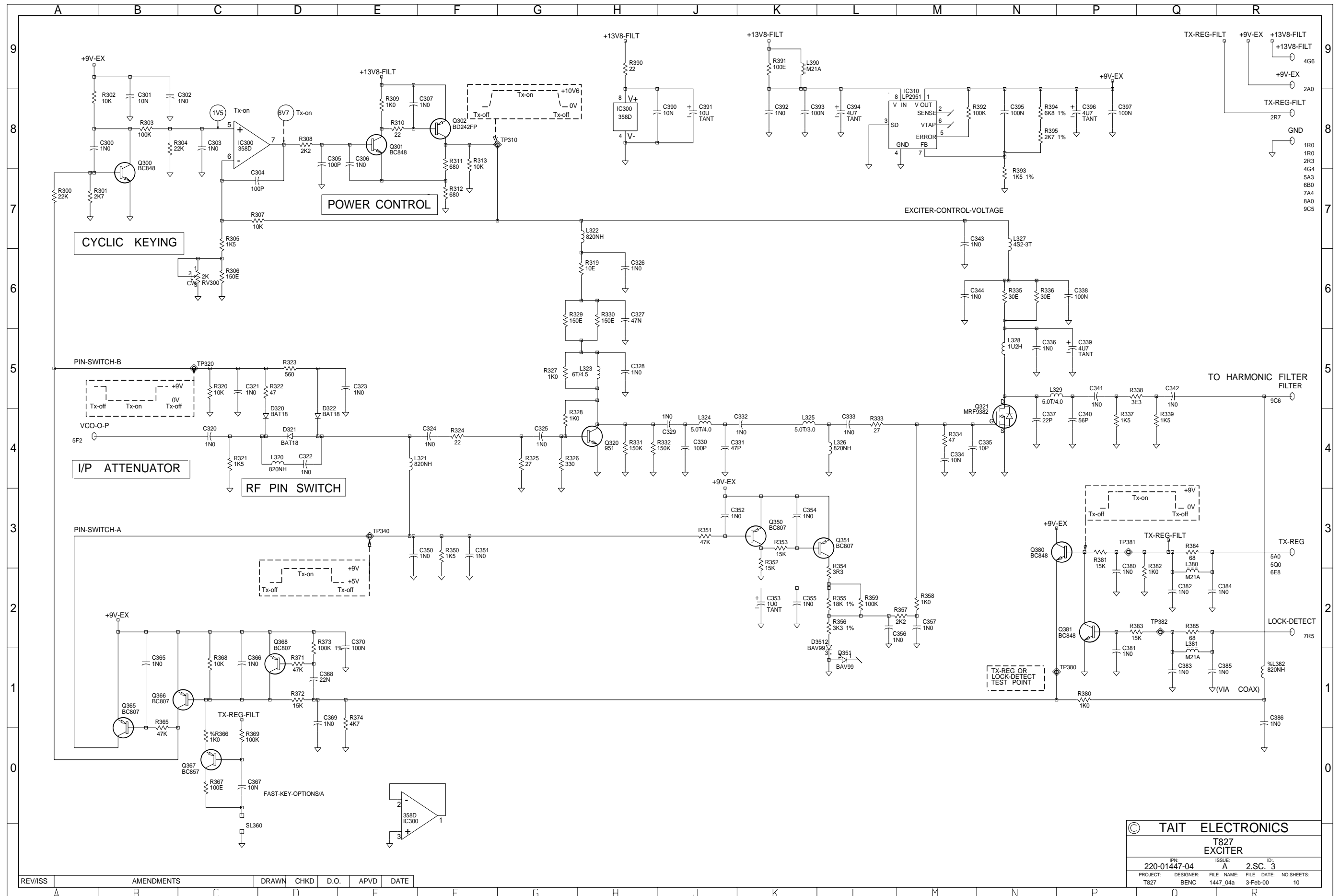
PL100  
 15 WAY R-ANGLE DRANGE PLUG

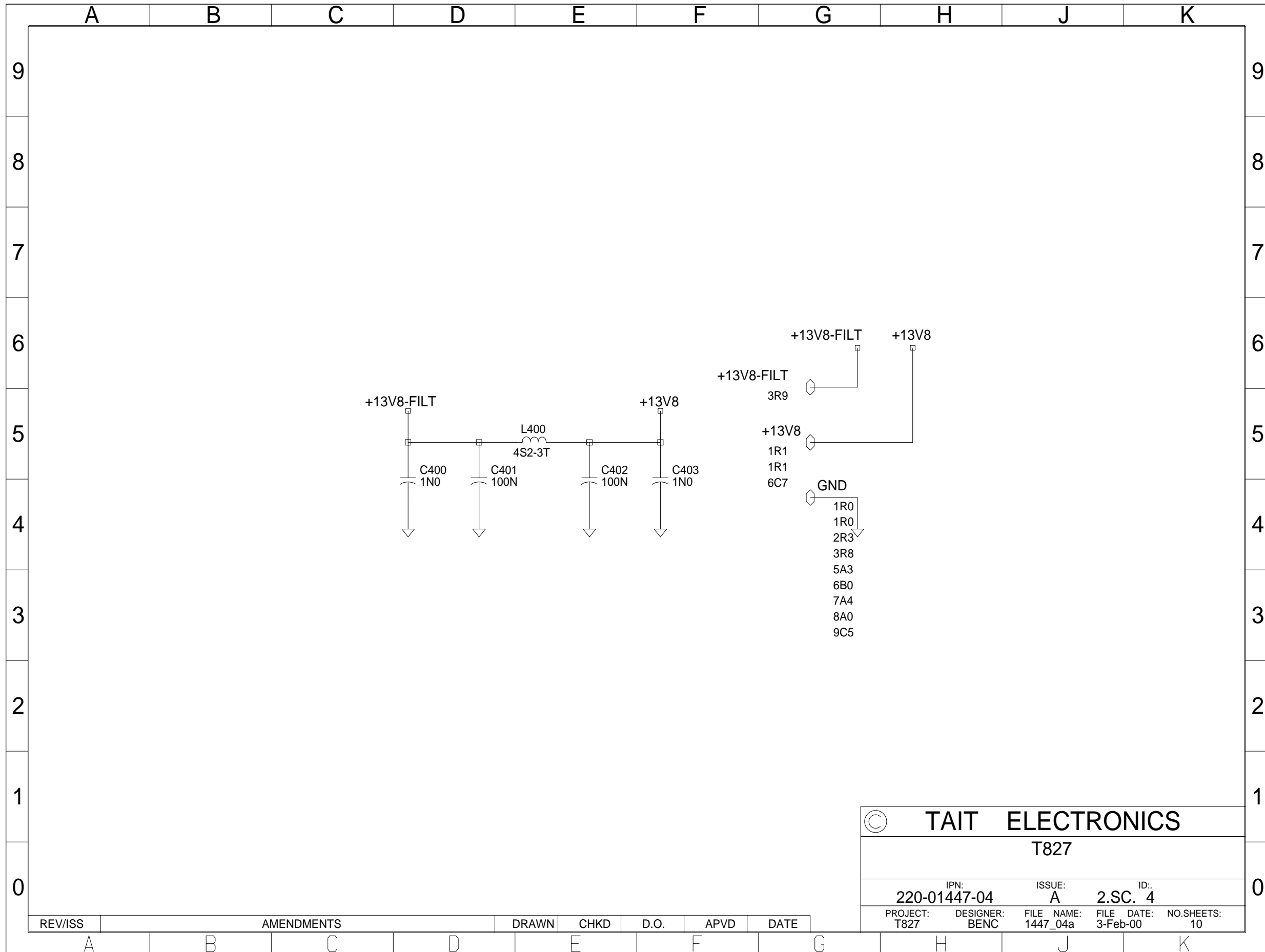
© TAIT ELECTRONICS			
T827 EXCITER			
IPN:	ISSUE:	ID:	
220-01447-04	A	2.S.C. 1	
PROJECT:	DESIGNER:	FILE NAME:	FILE DATE: NO.SHEETS:
T827	BENC	1447_04a	3-Feb-00 10



© TAIT ELECTRONICS  
T827 AUDIO PROCESSOR  
IPN: 220-01447-04 ISSUE: A ID: 2.S.C. 2  
PROJECT: T827 DESIGNER: BENC FILE NAME: 1447\_04a FILE DATE: 3-Feb-00 NO.SHEETS: 10

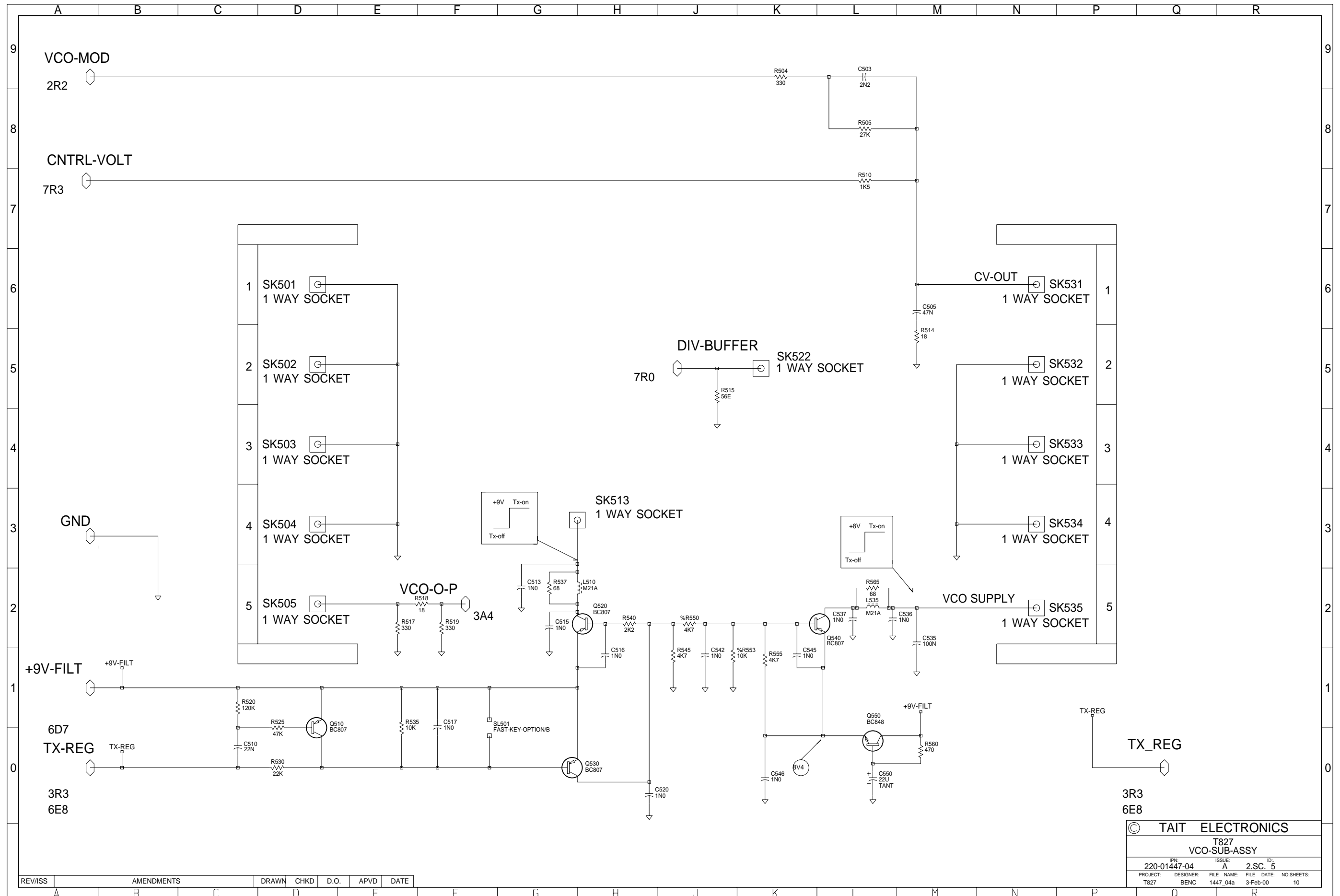
REV/ISS	AMENDMENTS	DRAWN	CHKD	D.O.	APVD	DATE
A	B	C	D	E		





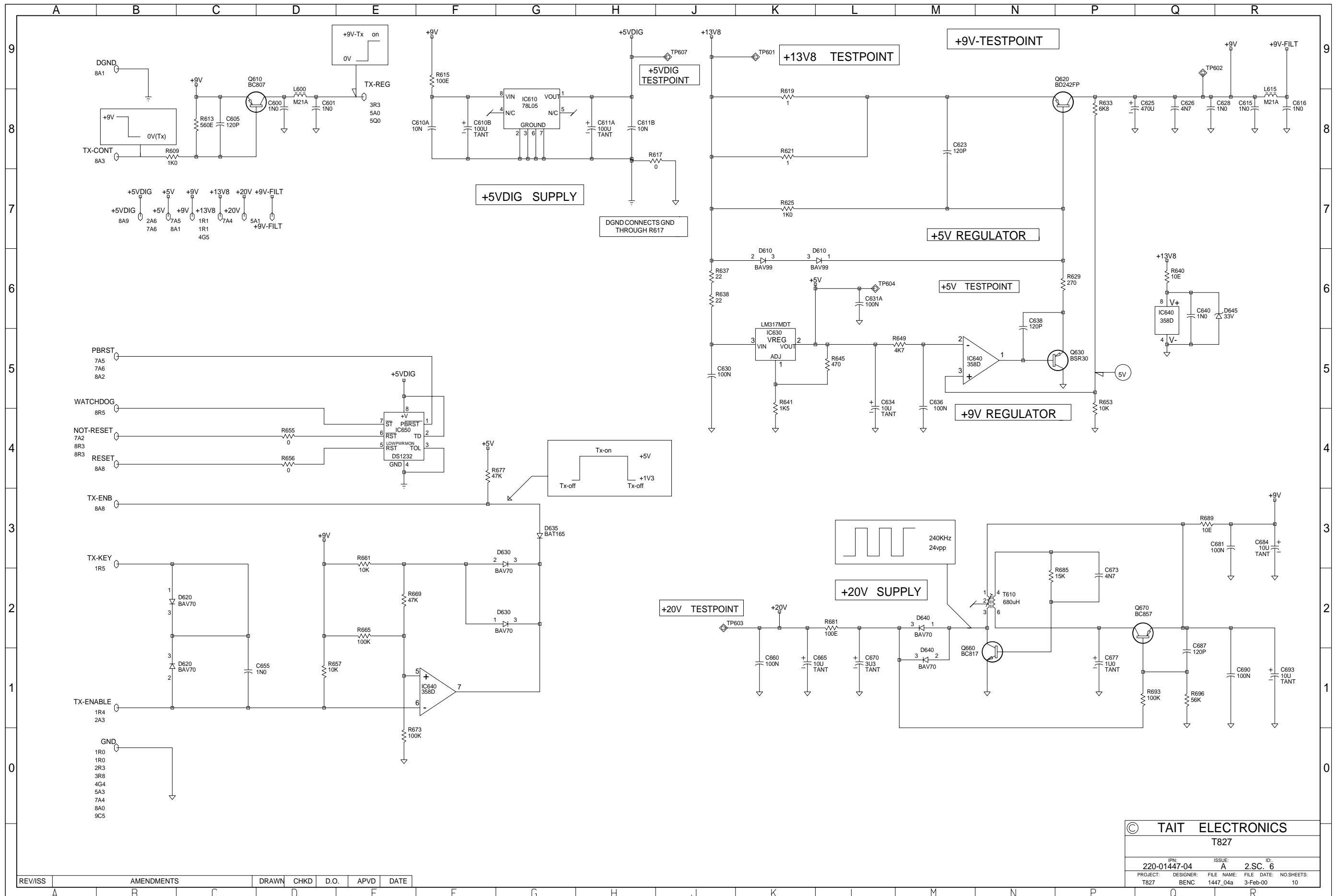
© TAIT ELECTRONICS				
T827				
IPN:	ISSUE:	ID:		
220-01447-04	A	2.SC. 4		
PROJECT:	DESIGNER:	FILE NAME:	FILE DATE:	NO.SHEETS:
T827	BENC	1447_04a	3-Feb-00	10

REV/ISS	AMENDMENTS	DRAWN	CHKD	D.O.	APVD	DATE
---------	------------	-------	------	------	------	------



© TAIT ELECTRONICS	
T827 VCO-SUB-ASSY	
IPN: 220-01447-04	ISSUE: A
DESIGNER: T827	FILE NAME: 1447_04a
DATE: 3-Feb-00	NO. SHEETS: 10

REV/ISS	AMENDMENTS	DRAWN	CHKD	D.O.	APVD	DATE
A						

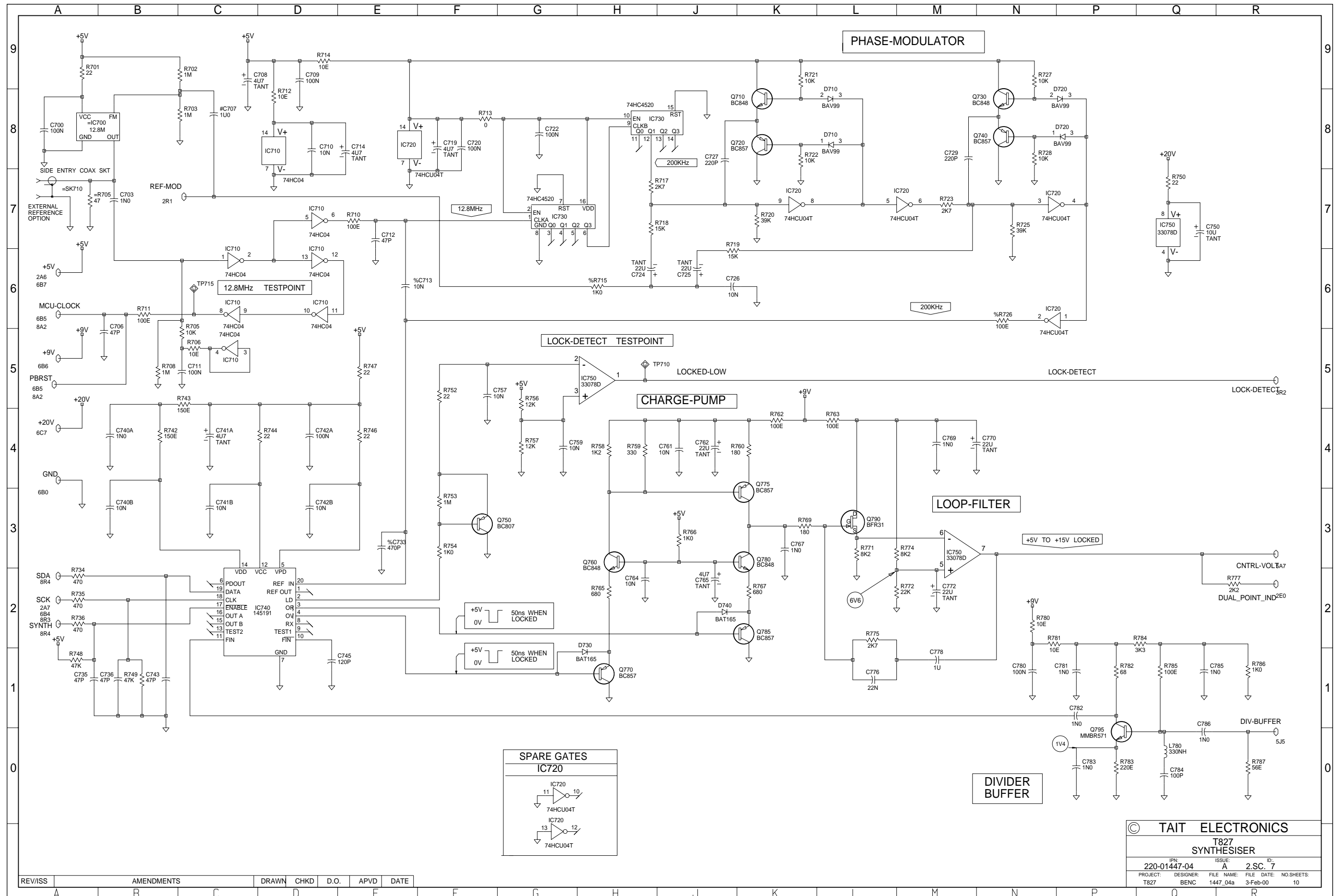


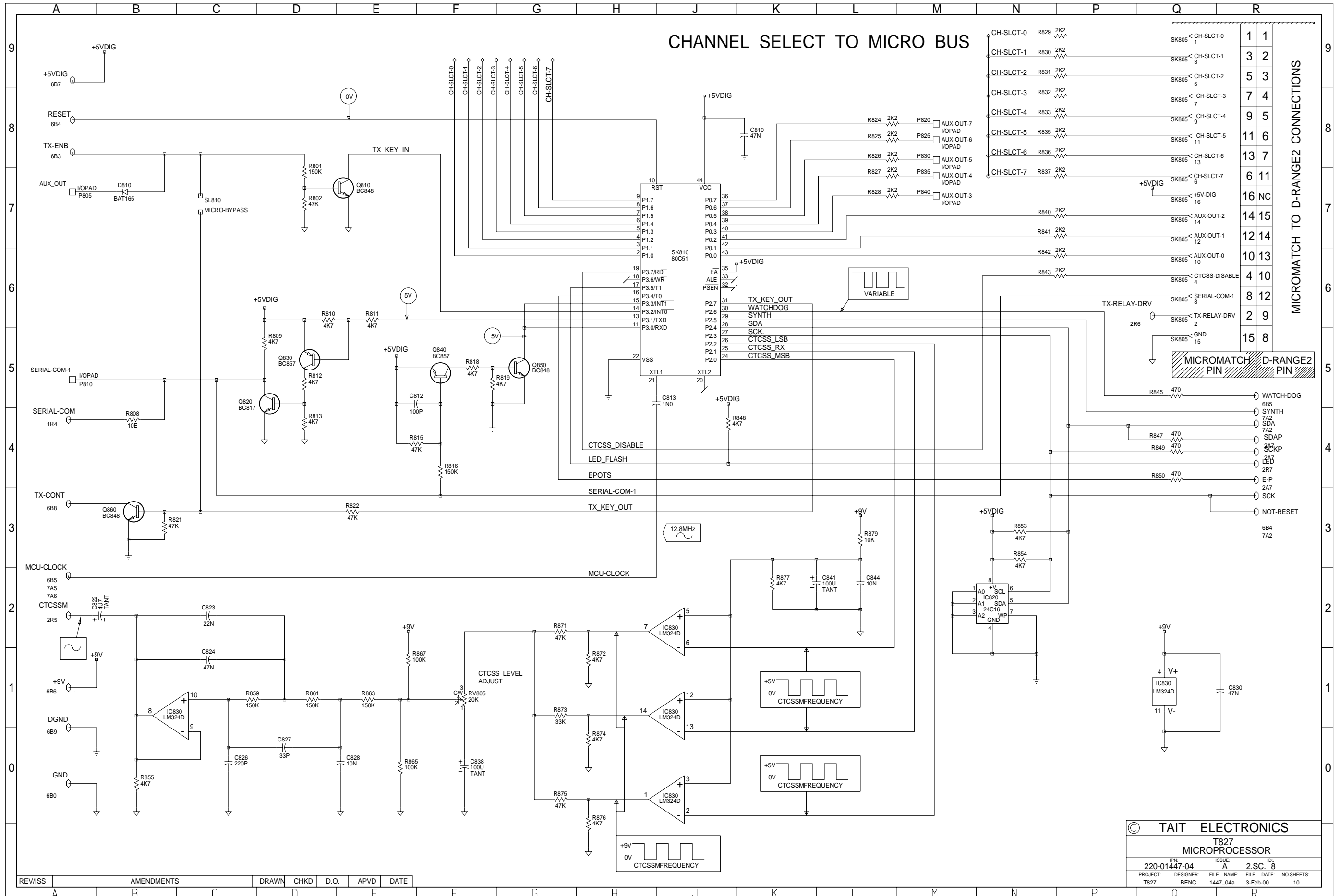
© TAIT ELECTRONICS  
T827

IPN:	220-01447-04	ISSUE:	A	ID:	2.S.C. 6
PROJECT:	T827	DESIGNER:	BENC	FILE NAME:	1447_04a
		FILE DATE:	3-Feb-00	NO. SHEETS:	10

REV/ISS	AMENDMENTS	DRAWN	CHKD	D.O.	APVD	DATE
A						

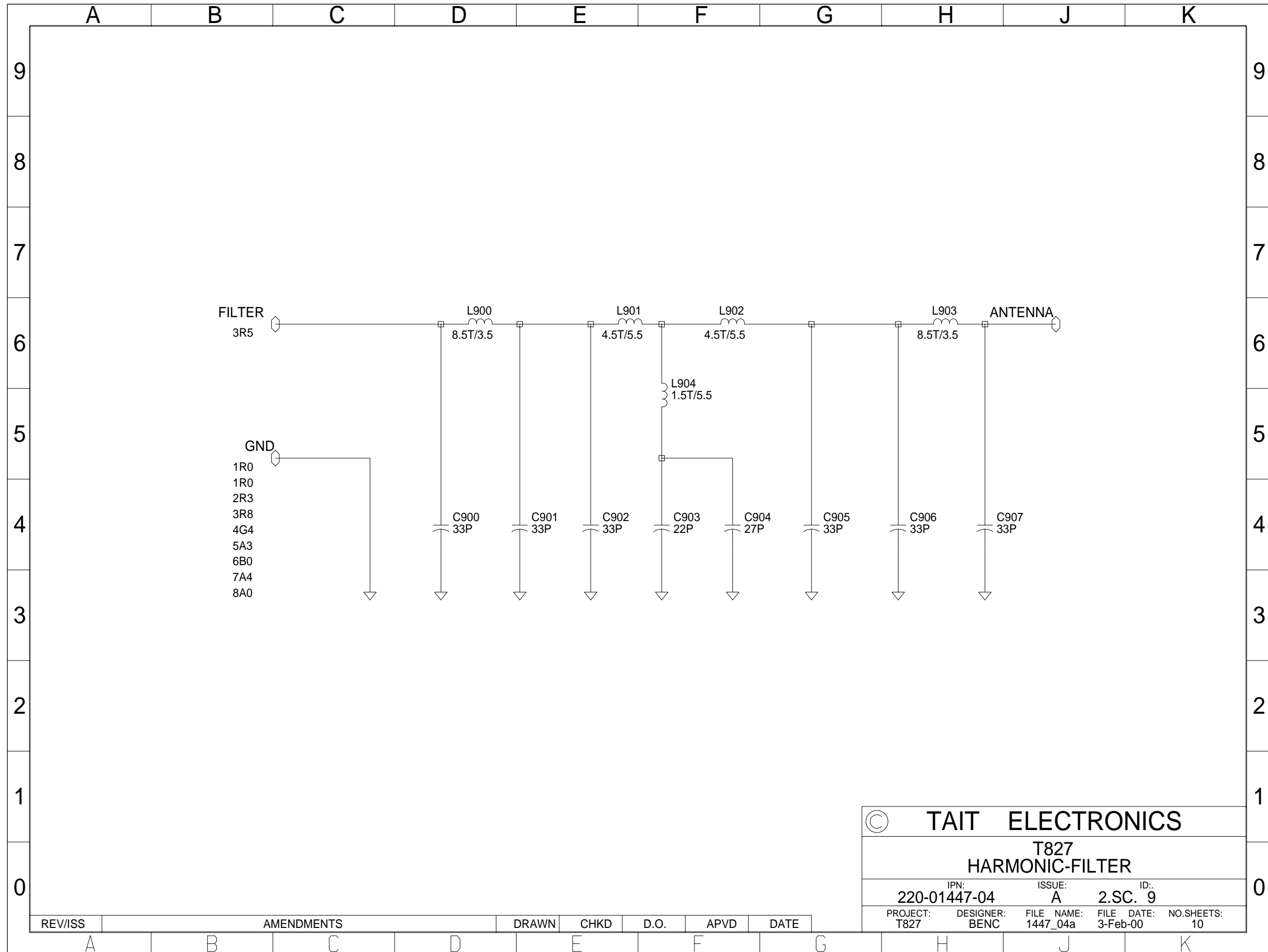






Channel Select	Resistor	Microcontroller Pin	Microcontroller Pin
CH-SLCT-0	R829 2K2	SK805	CH-SLCT-0 1
CH-SLCT-1	R830 2K2	SK805	CH-SLCT-1 3
CH-SLCT-2	R831 2K2	SK805	CH-SLCT-2 5
CH-SLCT-3	R832 2K2	SK805	CH-SLCT-3 7
CH-SLCT-4	R833 2K2	SK805	CH-SLCT-4 9
CH-SLCT-5	R835 2K2	SK805	CH-SLCT-5 11
CH-SLCT-6	R836 2K2	SK805	CH-SLCT-6 13
CH-SLCT-7	R837 2K2	SK805	CH-SLCT-7 15
		SK805	+5V-DIG 16
		SK805	AUX-OUT-7 IOPAD 14
		SK805	AUX-OUT-6 IOPAD 12
		SK805	AUX-OUT-5 IOPAD 10
		SK805	AUX-OUT-4 IOPAD 8
		SK805	AUX-OUT-3 IOPAD 6
		SK805	AUX-OUT-2 IOPAD 4
		SK805	AUX-OUT-1 IOPAD 2
		SK805	AUX-OUT-0 IOPAD 1
		SK805	CTCSS-DISABLE 4
		SK805	SERIAL-COM-1 8
		SK805	TX-RELAY-DRV 2
		SK805	GND 15
		SK805	WATCH-DOG 6B5
		SK805	SYNTH 7A2
		SK805	SDA 7A2
		SK805	SDAP 7A2
		SK805	SCKP 2A7
		SK805	LED 2R7
		SK805	E-P 2A7
		SK805	SCK 2A7
		SK805	NOT-RESET 6B4
		SK805	7A2

© TAIT ELECTRONICS  
T827 MICROPROCESSOR  
IPN: 220-01447-04 ISSUE: A ID: 2.SC. 8  
PROJECT: T827 DESIGNER: BENC FILE NAME: 1447\_04a FILE DATE: 3-Feb-00 NO.SHEETS: 10



© TAIT ELECTRONICS				
T827 HARMONIC-FILTER				
IPN:	ISSUE:	ID:		
220-01447-04	A	2.SC. 9		
PROJECT:	DESIGNER:	FILE NAME:	FILE DATE:	NO.SHEETS:
T827	BENC	1447_04a	3-Feb-00	10

REV/ISS	AMENDMENTS	DRAWN	CHKD	D.O.	APVD	DATE
---------	------------	-------	------	------	------	------

